

# M50V

## 50-lb Capacity OPL Dryer

### Standard Features:

- 50-lb. capacity
- 18.30 cu. ft basket volume
- 150,000 Btu/hr heat input, 750 cfm airflow
- Radial airflow
- Steel door with gasketless glass
- Self diagnostic microprocessor
- Easy to clean lint drawer
- Fit through standard 36" door
- Available in gas, steam and electric heat
- F.S.S.(Fire Suppression System)

### Optional Features:

- Stainless steel front, cabinet & basket
- Reversing basket



M50V OPL Dryer

## Why Purchase Milnor M50V?

### Engineer Driven Design That is Built to Last

Our dryers showcase an engineer-driven approach to design. Bearings are permanently lubricated on the motor and drive system. There are no chains used; rather, we use V-belts and pulleys for smooth, quiet, and trouble free operation. Our dryer cabinets are electrostatically powder-painted inside and out then baked at 420-degrees fahrenheit before final assembly - ensuring the hardest surface and the longest lasting finish in the industry.

### Rugged Steel Door with Gasketless Door Glass

Our dryer doors are one solid piece of steel with gasketless glass. This eliminates the issue of glass falling out due to wear and tear on rubber gaskets that some manufacturers use to secure their glass. The security and durability that gasketless glass provides is essential to a successful laundry operation.

### Easy-to-Read, Multilingual Controls

Our dryers were on of the first computer operated dryers on the market and continue to apply innovative technology to dryer operation. Our accessible design, easy-to-read LED screens and our user friendly multilingual interface positions Milnor as a leader in the laundry industry.

Your local Milnor independent authorized dealer.



# M50V

## M50V Specifications

Tumbler Capacity (dry weight)	50 lbs. (22.68 kg)														
Tumbler Diameter	32-3/4" (83.19 cm)														
Tumbler Depth	37-1/2" (95.25 cm)														
Tumbler Volume	18.30 cu ft (518.20 L)														
Tumbler/Drive Motor (nonreversing/reversing)	3/4 hp / 1/2 hp* (0.56 kW / 0.37 kW)														
Blower/Fan Motor (nonreversing/reversing)	-- / 1/2 hp* (0.37 kW)														
Door Opening (Diameter)	21-1/2" (54.61 cm)														
Door Sill Height	33-1/8" (84.15 cm)														
F.S.S. Water Connection	3/4"-11.5 NH (North America) 3/4" B.S.P.T. (Outside North America)														
Dryers per 20'/40' Container	10 / 20														
Dryers per 53' Truck	24 / 26														
Width	34-1/4" (87 cm)														
Depth	49-3/4" (126.4 cm)														
Height	72" (182.9 cm)														
Airflow gas/electric/steam	60 Hz 750 cfm (21.24 cmm) 50 Hz 625 cfm (17.70 cmm)														
Exhaust Connection (Diameter)	8" (20.32 cm)														
GAS MODEL:	Approx. Net Wt. 651 lbs (295.29 kg) Approx. Ship Wt. 700 lbs (317.51 kg) Heat Input 150,000 btu/hr (37,799 kcal/hr) Inlet Pipe Connection 1/2" M.N.P.T.** 1/2" B.S.P.T. (CE and Australia Only)														
ELECTRICAL MODEL:	Approx. Net Wt. 651 lbs (295.29 kg) Approx. Ship Wt. 700 lbs (317.51 kg)														
<table border="1"> <thead> <tr> <th colspan="2">Oven Size</th> <th rowspan="2">kW</th> <th rowspan="2">Btu/hr (kcal/hr)</th> </tr> <tr> <th>20</th> <th>24</th> </tr> </thead> <tbody> <tr> <td>20</td> <td>24</td> <td>68,200 (17,200)</td> <td>81,900 (20,600)</td> </tr> <tr> <td>30</td> <td></td> <td>102,400 (25,800)</td> <td></td> </tr> </tbody> </table>	Oven Size		kW	Btu/hr (kcal/hr)	20	24	20	24	68,200 (17,200)	81,900 (20,600)	30		102,400 (25,800)		
Oven Size		kW			Btu/hr (kcal/hr)										
20	24														
20	24	68,200 (17,200)	81,900 (20,600)												
30		102,400 (25,800)													
STEAM MODEL:***	Approx. Net Wt. 683 lbs (309.80 kg) Approx. Ship Wt. 733 lbs (332.48 kg) Steam Consumption 142 lb/hr (64.41 kg/hr) Operating Steam Pressure 125 psi max (8.62 bar) Boiler Horsepower (Normal Load) 4.1 Bhp Supply Connection 1" F.N.P.T.** Return Connection 1" F.N.P.T.**														

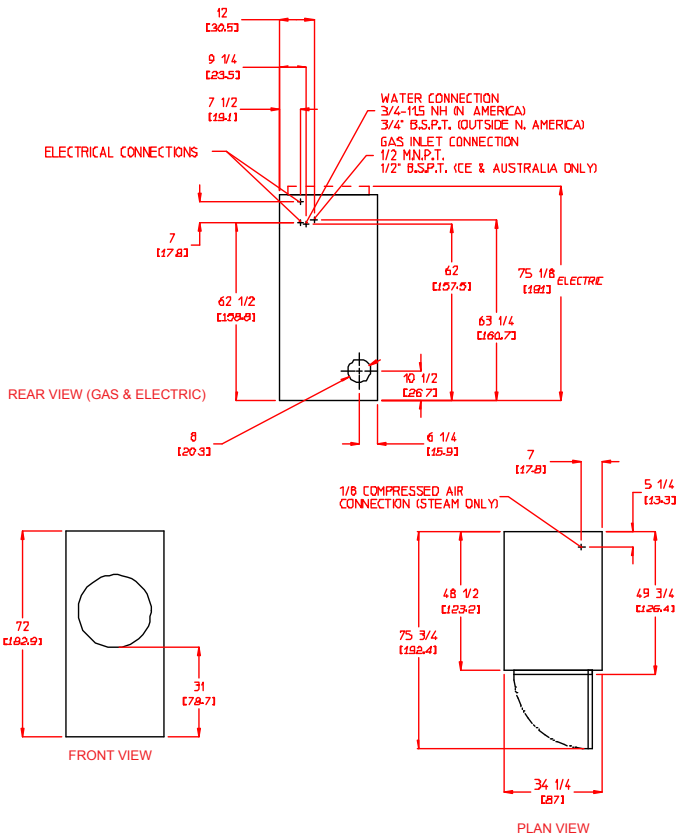
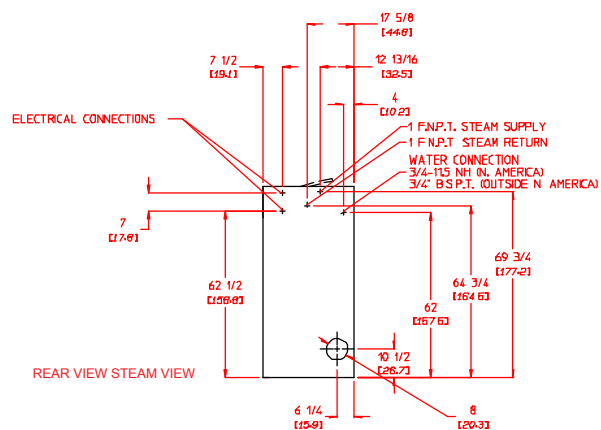
Specifications in parentheses are metric equivalents.

9/19/06

\* Reversing dryers use 3-phase (3ø) motors.

\*\* Size of piping to dryer varies with installation conditions. Contact factory for assistance.

\*\*\* Specify air-operated or electromechanical steam damper system. Air-operated steam damper system must be provided with clean, dry, and regulated 80 psi +/- 10 psi (5.51 bar +/- 0.69 bar) air supply.



### Electrical Service Specifications

SERVICE VOLTAGE	PHASE	WIRE SERVICE	APPROX AMP DRAW		CIRCUIT BREAKER
			60 Hz	50 Hz	
<b>GAS &amp; STEAM</b>					
100	1ø	2	12.3	--	20
120	1ø	2	12.0	--	20
208	1ø	2	7.1	--	15
220	1ø	2	7.0	5.3	15
230	1ø	2*	--	4.9	15
240	1ø	2	6.5	4.2	15

### Electrical Service Specifications

SERVICE VOLTAGE	PHASE	WIRE SERVICE	APPROX AMP DRAW		CIRCUIT BREAKER
			60 Hz	50 Hz	
<b>GAS &amp; STEAM</b>					
208	3ø	3	3.0	--	15
220	3ø	3	3.8	--	15
230	3ø	3	--	3.6	15
240	3ø	3	3.2	--	15
380	3ø	4*	--	2.2	15
400	3ø	4*	--	2.2	15
416	3ø	4*	--	2.3	15
460	3ø	3	2.1	--	15
480	3ø	3	2.1	--	15

### Electrical Service Specifications

SERVICE VOLTAGE	PHASE	WIRE SERVICE	APPROX AMP DRAW		CIRCUIT BREAKER
			60 Hz	50 Hz	
<b>30 kW Electric</b>					
208	3ø	3	90	--	125
220	3ø	3	86	84	110
230	3ø	3	79	80	100
240	3ø	3	79	--	100
380	3ø	4*	--	51	70
400	3ø	4*	--	48	60
416	3ø	4*	--	47	60
440	3ø	3	42	--	60
460	3ø	3	40	--	50
480	3ø	3	38	--	50
575	3ø	3	32	--	40
<b>20 kW Electric</b>					
208	1ø	2	103	--	150
220	1ø	2	96	--	125
230	1ø	2	--	92	125
240	1ø	2	90	--	125
<b>24 kW Electric</b>					
208	3ø	3	74	--	100
220	3ø	3	70	--	90
230	3ø	3	--	65	90
240	3ø	3	64	--	90
380	3ø	4*	43	42	60
416	3ø	4*	--	38	50
480	3ø	3	31	--	40



Pellerin Milnor Corporation, PO Box 400, Kenner, LA 70063 USA,  
Phone 504.712.7656 Toll Free: 800.469.8780 Fax: 504.468.3094

www.milnor.com