



## The Staber 6 Gear PPE Drying Cabinet

---

Hose dryers and equipment dryers will extend the life of your fire hose, bunker gear and other fire house equipment. PPE dryers for equipment safely dries hose or fire clothing quickly without radiant heat. The cabinet eliminates frozen hose and dangerous hose towers. Avoids the damaging practice of drying on hot pavement or under intense sunlight. Provides extra hose storage. Gets your fire hose back in service *FAST*. Our operates @ **460 cfm** (cubic feet per minute!)

Custom built for firefighter turnout gear (PPE) and hoses. Simple controls with factory preset temperatures ensure proper drying temperature for each unique clothing or turnout item. It is made from heavy-duty steel construction with a white powder coat finish. Ships from the factory with (4) coat hangers, 1 glove racks (hold 26 gloves), (2) boot hangers (holds 12 boots). Optional accessories include: coat hangers, boot hangers, glove hangers, multi-purpose hanger, and hose drying shelf.

### **Additional items can be added to the Industrial Turnout Gear & Hose Drying Cabinet:**

1. **Air Flow Coat Hanger (4 comes standard with 2201)**
2. **Air Flow Boot Hanger (Holds 3 pair of boots – 2 boot hangers come standard with 2201)**
3. **Glove Rack (Holds 13 pair – Comes standard with 2201)**
4. **Multi-purpose Hanger (optional with 2201))**
5. **Hose Drying Shelf (optional with 2201)**
6. **Air Flow Glove Hanger (optional, holds 6 pair of gloves)**

1



2



3



4



5



6

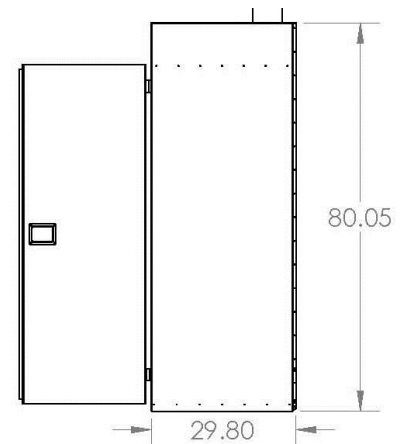
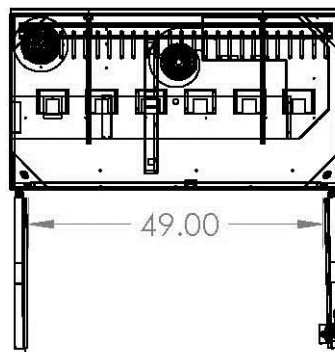
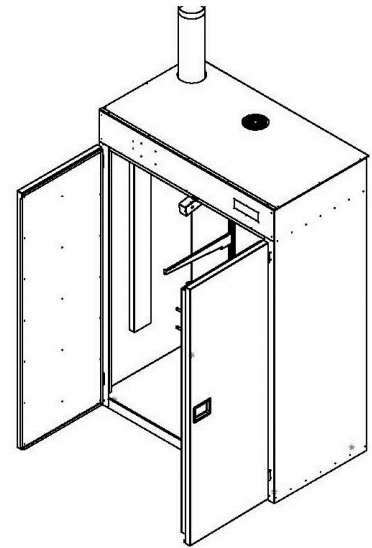
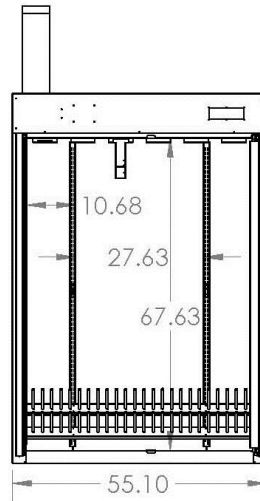




# DRYING CABINET SPECIFICATIONS

## -SPECIFICATIONS

- Electric Heating- 6 kW
- 63 Cubic Feet interior space
- Electric Connection-208-220/240V – 60 Hz 1 Phase 40 amp breaker
- Exhaust Diameter - 6"
- Outlet Airflow- 460 cfm
- External Floor Drain
- Net Weight 460 lbs.
- Shipping Weight 630 lbs.
- Depth 31"
- Height 80"
- Width 55"



## Electrical Specifications

Voltage	Phase	Wire Service	KW	Amps/ 60 HZ	Circuit Breaker
208	1	2	5.5	26.2	40
220	1	2	6.3	28.6	40
240	1	2	7.2	30.0	40